

WORKBOOK2019



**#EndOfDiscussion**

**AMETISTA**



**DOGMA  
F10**

# DOGMA F10

Carbon Torayca T1100 1K Dream Carbon  
with Nanoalloy Technology

Asymmetric Frame

Fork ONDA F10 with ForkFlap™

Think2 System with E-Link™

ICR™ Internal Cable Routing

Drop in Bearing System 1" 1/8 - 1" 1/2

Italian thread BB

Seatclamp TwinForce

3XAir™ two positions available

for the second bottle

FlatBack Profile

UCI Approved

Max Tyre 700x25mm

PINARELLO  
ThinkAsymmetric

205 Ametista





**DIAMOND**



**DOGMA  
F10**

# DOGMA F10

Carbon Torayca T1100 1K Dream Carbon  
with Nanoalloy Technology

Asymmetric Frame

Fork ONDA F10 with ForkFlap™

Think2 System with E-Link™

ICR™ Internal Cable Routing

Drop in Bearing System 1" 1/8 - 1"1/2

Italian thread BB

Seatclamp TwinForce

3XAir™ two positions available

for the second bottle

FlatBack Profile

UCI Approved

Max Tyre 700x25mm

PINARELLO  
ThinkAsymmetric

204 Diamond



**VULCANO**



**DOGMA  
F10**



# DOGMA F10

Carbon Torayca T1100 1K Dream Carbon  
with Nanoalloy Technology

Asymmetric Frame

Fork ONDA F10 with ForkFlap™

Think2 System with E-Link™

ICR™ Internal Cable Routing

Drop in Bearing System 1" 1/8 - 1" 1/2

Italian thread BB

Seatclamp TwinForce

3XAir™ two positions available

for the second bottle

FlatBack Profile

UCI Approved

Max Tyre 700x25mm

PINARELLO  
ThinkAsymmetric

199 Vulcano





**DIAMOND  
BLUE**



**DOGMA  
F10**

# DOGMA F10

Carbon Torayca T1100 1K Dream Carbon  
with Nanoalloy Technology

Asymmetric Frame

Fork ONDA F10 with ForkFlap™

Think2 System with E-Link™

ICR™ Internal Cable Routing

Drop in Bearing System 1" 1/8 - 1" 1/2

Italian thread BB

Seatclamp TwinForce

3XAir™ two positions available

for the second bottle

FlatBack Profile

UCI Approved

Max Tyre 700x25mm

PINARELLO  
ThinkAsymmetric

206 Diamond Blue



**AMBRA**



**DOGMA  
F10**



# DOGMA F10

Carbon Torayca T1100 1K Dream Carbon  
with Nanoalloy Technology

Asymmetric Frame

Fork ONDA F10 with ForkFlap™

Think2 System with E-Link™

ICR™ Internal Cable Routing

Drop in Bearing System 1" 1/8 - 1" 1/2

Italian thread BB

Seatclamp TwinForce

3XAir™ two positions available

for the second bottle

FlatBack Profile

UCI Approved

Max Tyre 700x25mm

PINARELLO  
ThinkAsymmetric

202 Ambra





**FLUORITE**



**DOGMA  
F10**

# DOGMA F10

Carbon Torayca T1100 1K Dream Carbon  
with Nanoalloy Technology

Asymmetric Frame

Fork ONDA F10 with ForkFlap™

Think2 System with E-Link™

ICR™ Internal Cable Routing

Drop in Bearing System 1" 1/8 - 1"1/2

Italian thread BB

Seatclamp TwinForce

3XAir™ two positions available

for the second bottle

FlatBack Profile

UCI Approved

Max Tyre 700x25mm

PINARELLO  
Think Asymmetric

201 Fluorite



**BOB**



**DOGMA  
F10**



# DOGMA F10

Carbon Torayca T1100 1K Dream Carbon  
with Nanoalloy Technology

Asymmetric Frame

Fork ONDA F10 with ForkFlap™

Think2 System with E-Link™

ICR™ Internal Cable Routing

Drop in Bearing System 1" 1/8 - 1"1/2

Italian thread BB

Seatclamp TwinForce

3XAir™ two positions available

for the second bottle

FlatBack Profile

UCI Approved

Max Tyre 700x25mm

PINARELLO  
ThinkAsymmetric

200 BoB





**Team Sky**



**DOGMA  
F10**

# DOGMA F10

Carbon Torayca T1100 1K Dream Carbon  
with Nanoalloy Technology

Asymmetric Frame

Fork ONDA F10 with ForkFlap™

Think2 System with E-Link™

ICR™ Internal Cable Routing

Drop in Bearing System 1" 1/8 - 1"1/2

Italian thread BB

Seatclamp TwinForce

3XAir™ two positions available  
for the second bottle

FlatBack Profile

UCI Approved

Max Tyre 700x25mm

941 Team Sky

947 Team Sky DISK

PINARELLO  
Think Asymmetric



# DOGMA F10

Carbon Torayca T1100 1K Dream Carbon  
with Nanoalloy Technology  
Asymmetric Frame  
Fork ONDA F10 with ForkFlap™  
Think2 System with E-Link™  
ICR™ Internal Cable Routing  
Drop in Bearing System 1" 1/8 - 1"1/2  
Italian thread BB  
Seatclamp TwinForce  
3XAir™ two positions available  
for the second bottle  
FlatBack Profile  
UCI Approved  
Max Tyre 700x25mm

946 Rhino Team Sky  
225 Rhino Team Sky DISK

PINARELLO  
ThinkAsymmetric







GIRO D'ITALIA

# WINNERS

#EndOfDiscussion



- 218 Giro Pink 2018 - DOGMA F10
- 219 Giro Pink 2018 - DOGMA F10 **XLIGHT**
- 222 Giro Pink 2018 - DOGMA F10 **DISK**



- 220 Giro Black 2018 - DOGMA F10
- 221 Giro Black 2018 - DOGMA F10 **XLIGHT**
- 223 Giro Black 2018 - DOGMA F10 **DISK**





**DOGMA  
F101**





# DOGMA F101

Carbon Torayca T1100 1K Dream Carbon  
with Nanoalloy Technology

Asymmetric Frame

Fork ONDA F10 with ForkFlap™

Think2 System with E-Link™

ICR™ Internal Cable Routing

Drop in Bearing System 1" 1/8 - 1"1/2

Italian thread BB

Seatclamp TwinForce

3XAir™ two positions available

for the second bottle

FlatBack Profile

UCI Approved

Max Tyre 700x25mm

215 Giro d'Italia 101

217 Giro d'Italia 101 Disk

PINARELLO  
ThinkAsymmetric



# DOGMA F10

Carbon Torayca T1100 1K Dream Carbon  
with Nanoalloy Technology

Asymmetric Frame

Fork ONDA F10 with ForkFlap™

Think2 System with E-Link™

ICR™ Internal Cable Routing

Drop in Bearing System 1" 1/8 - 1"1/2

Italian thread BB

Seatclamp TwinForce

3XAir™ two positions available

for the second bottle

FlatBack Profile

UCI Approved

Max Tyre 700x25mm

PINARELLO  
Think Asymmetric

167 Black Lava





# DOGMA F10

Carbon Torayca T1100 1K Dream Carbon  
with Nanoalloy Technology  
Asymmetric Frame  
Fork ONDA F10 with ForkFlap™  
Think2 System with E-Link™  
ICR™ Internal Cable Routing  
Drop in Bearing System 1" 1/8 - 1"1/2  
Italian thread BB  
Seatclamp TwinForce  
3XAir™ two positions available  
for the second bottle  
FlatBack Profile  
UCI Approved  
Max Tyre 700x25mm

PINARELLO  
ThinkAsymmetric

166 Red Magma





# DOGMA F10

Carbon Torayca T1100 1K Dream Carbon  
with Nanoalloy Technology

Asymmetric Frame

Fork ONDA F10 with ForkFlap™

Think2 System with E-Link™

ICR™ Internal Cable Routing

Drop in Bearing System 1" 1/8 - 1" 1/2

Italian thread BB

Seatclamp TwinForce

3XAir™ two positions available

for the second bottle

FlatBack Profile

UCI Approved

Max Tyre 700x25mm

PINARELLO  
ThinkAsymmetric

170 BoB



# DOGMA F10

Carbon Torayca T1100 1K Dream Carbon  
with Nanoalloy Technology  
Asymmetric Frame  
Fork ONDA F10 with ForkFlap™  
Think2 System with E-Link™  
ICR™ Internal Cable Routing  
Drop in Bearing System 1" 1/8 - 1"1/2  
Italian thread BB  
Seatclamp TwinForce  
3XAir™ two positions available  
for the second bottle  
FlatBack Profile  
UCI Approved  
Max Tyre 700x25mm

165 Sideral White

PINARELLO  
ThinkAsymmetric



# DOGMA F10

Carbon Torayca T1100 1K Dream Carbon  
with Nanoalloy Technology  
Asymmetric Frame  
Fork ONDA F10 with ForkFlap™  
Think2 System with E-Link™  
ICR™ Internal Cable Routing  
Drop in Bearing System 1" 1/8 - 1" 1/2  
Italian thread BB  
Seatclamp TwinForce  
3XAir™ two positions available  
for the second bottle  
FlatBack Profile  
UCI Approved  
Max Tyre 700x25mm

168 Sulfur Yellow

PINARELLO  
ThinkAsymmetric





# DOGMA F10

Carbon Torayca T1100 1K Dream Carbon  
with Nanoalloy Technology  
Asymmetric Frame  
Fork ONDA F10 with ForkFlap™  
Think2 System with E-Link™  
ICR™ Internal Cable Routing  
Drop in Bearing System 1" 1/8 - 1"1/2  
Italian thread BB  
Seatclamp TwinForce  
3XAir™ two positions available  
for the second bottle  
FlatBack Profile  
UCI Approved  
Max Tyre 700x25mm

PINARELLO  
ThinkAsymmetric

169 Asteroid Red





**DOGMA**  
**F10**  
**DISK**

# DOGMA F10 DISK

**Carbon Torayca T1100 1K Dream Carbon**  
with Nanoalloy Technology

**Asymmetric Frame**

**Fork ONDA F10 with ForkFlap™**

**Think2 System with E-Link™**

**ICR™ Internal Cable Routing**

**Drop in Bearing System 1" 1/8 - 1"1/2**

**Italian thread BB**

Seatclamp **TwinForce**

**3XAir™** two positions available

**FlatBack Profile**

**UCI Approved**

**RAD SYSTEM** Disk brake

**Front Axle 100x12mm** Shimano®

**Rear Axle 142x12mm** Shimano®

**Disk Flat Mount max 160mm**

**Max Tyre 700x25mm**

**214 Diamond Blue**

**PINARELLO**  
Think Asymmetric





# DOGMA F10 DISK

**PINARELLO**  
Think Asymmetric

**Carbon Torayca T1100 1K Dream Carbon**  
with Nanoalloy Technology

**Asymmetric Frame**

**Fork ONDA F10 with ForkFlap™**

**Think2 System with E-Link™**

**ICR™ Internal Cable Routing**

**Drop in Bearing System 1" 1/8 - 1" 1/2**

**Italian thread BB**

Seatclamp **TwinForce**

**3XAir™** two positions available

**FlatBack Profile**

**UCI Approved**

**RAD SYSTEM** Disk brake

**Front Axle 100x12mm** Shimano®

**Rear Axle 142x12mm** Shimano®

**Disk Flat Mount max 160mm**

**Max Tyre 700x25mm**

**209 Vulcano**



# DOGMA F10 DISK

Carbon Torayca T1100 1K Dream Carbon  
with Nanoalloy Technology

Asymmetric Frame

Fork ONDA F10 with ForkFlap™

Think2 System with E-Link™

ICR™ Internal Cable Routing

Drop in Bearing System 1" 1/8 - 1" 1/2

Italian thread BB

Seatclamp TwinForce

3XAir™ two positions available

FlatBack Profile

UCI Approved

RAD SYSTEM Disk brake

Front Axle 100x12mm Shimano®

Rear Axle 142x12mm Shimano®

Disk Flat Mount max 160mm

Max Tyre 700x25mm

210 Fluorite

PINARELLO  
Think Asymmetric





# DOGMA F10 DISK

**PINARELLO**  
Think Asymmetric

**Carbon Torayca T1100 1K Dream Carbon**  
with Nanoalloy Technology  
**Asymmetric Frame**  
**Fork ONDA F10 with ForkFlap™**  
**Think2 System with E-Link™**  
**ICR™** Internal Cable Routing  
Drop in Bearing System **1" 1/8 - 1" 1/2**  
**Italian thread BB**  
Seatclamp **TwinForce**  
**3XAir™** two positions available  
**FlatBack Profile**  
**UCI Approved**  
**RAD SYSTEM** Disk brake  
**Front Axle 100x12mm Shimano®**  
**Rear Axle 142x12mm Shimano®**  
**Disk Flat Mount max 160mm**  
**Max Tyre 700x25mm**

**211 Ambra**





# DOGMA F10 DISK

**PINARELLO**  
Think Asymmetric

**Carbon Torayca T1100 1K Dream Carbon**  
with Nanoalloy Technology

**Asymmetric Frame**

**Fork ONDA F10 with ForkFlap™**

**Think2 System with E-Link™**

**ICR™** Internal Cable Routing

Drop in Bearing System 1" 1/8 - 1" 1/2

**Italian thread BB**

Seatclamp **TwinForce**

**3XAir™** two positions available

**FlatBack Profile**

**UCI Approved**

**RAD SYSTEM** Disk brake

**Front Axle 100x12mm** Shimano®

**Rear Axle 142x12mm** Shimano®

**Disk Flat Mount max 160mm**

**Max Tyre 700x25mm**

**212 Diamond**



# DOGMA F10 DISK

Carbon Torayca T1100 1K Dream Carbon  
with Nanoalloy Technology

Asymmetric Frame

Fork ONDA F10 with ForkFlap™

Think2 System with E-Link™

ICR™ Internal Cable Routing

Drop in Bearing System 1" 1/8 - 1"1/2

Italian thread BB

Seatclamp TwinForce

3XAir™ two positions available

FlatBack Profile

UCI Approved

RAD SYSTEM Disk brake

Front Axle 100x12mm Shimano®

Rear Axle 142x12mm Shimano®

Disk Flat Mount max 160mm

Max Tyre 700x25mm

213 Ametista

**PINARELLO**  
Think Asymmetric



# DOGMA F10 DISK

Carbon Torayca T1100 1K Dream Carbon  
with Nanoalloy Technology

Asymmetric Frame

Fork ONDA F10 with ForkFlap™

Think2 System with E-Link™

ICR™ Internal Cable Routing

Drop in Bearing System 1" 1/8 - 1"1/2

Italian thread BB

Seatclamp TwinForce

3XAir™ two positions available

FlatBack Profile

UCI Approved

RAD SYSTEM Disk brake

Front Axle 100x12mm Shimano®

Rear Axle 142x12mm Shimano®

Disk Flat Mount max 160mm

Max Tyre 700x25mm

948 BoB

PINARELLO  
Think Asymmetric





# DOGMA F10 DISK

**PINARELLO**  
Think Asymmetric

**Carbon Torayca T1100 1K Dream Carbon**  
with Nanoalloy Technology

**Asymmetric Frame**

**Fork ONDA F10 with ForkFlap™**

**Think2 System with E-Link™**

**ICR™ Internal Cable Routing**

**Drop in Bearing System 1" 1/8 - 1"1/2**

**Italian thread BB**

Seatclamp **TwinForce**

**3XAir™** two positions available

**FlatBack Profile**

**UCI Approved**

**RAD SYSTEM** Disk brake

**Front Axle 100x12mm** Shimano®

**Rear Axle 142x12mm** Shimano®

**Disk Flat Mount max 160mm**

**Max Tyre 700x25mm**

**915 Mars Orange**



# DOGMA F10 DISK

**PINARELLO**  
Think Asymmetric

**Carbon Torayca T1100 1K Dream Carbon**  
with Nanoalloy Technology  
**Asymmetric Frame**  
**Fork ONDA F10 with ForkFlap™**  
**Think2 System with E-Link™**  
**ICR™** Internal Cable Routing  
Drop in Bearing System **1" 1/8 - 1"1/2**  
**Italian thread BB**  
Seatclamp **TwinForce**  
**3XAir™** two positions available  
**FlatBack Profile**  
**UCI Approved**  
**RAD SYSTEM** Disk brake  
**Front Axle 100x12mm** Shimano®  
**Rear Axle 142x12mm** Shimano®  
**Disk Flat Mount max 160mm**  
**Max Tyre 700x25mm**

**916 Black Lava**





# DOGMA F10 DISK

**PINARELLO**  
ThinkAsymmetric

**Carbon Torayca T1100 1K Dream Carbon**  
with Nanoalloy Technology  
**Asymmetric Frame**  
**Fork ONDA F10 with ForkFlap™**  
**Think2 System with E-Link™**  
**ICR™** Internal Cable Routing  
Drop in Bearing System 1" 1/8 - 1"1/2  
**Italian thread BB**  
Seatclamp **TwinForce**  
**3XAir™** two positions available  
**FlatBack Profile**  
**UCI Approved**  
**RAD SYSTEM** Disk brake  
**Front Axle 100x12mm** Shimano®  
**Rear Axle 142x12mm** Shimano®  
**Disk Flat Mount max 160mm**  
**Max Tyre 700x25mm**

**917 BoB**





# DOGMA F10 DISK

**PINARELLO**  
Think Asymmetric

**Carbon Torayca T1100 1K Dream Carbon**  
with Nanoalloy Technology  
**Asymmetric Frame**  
**Fork ONDA F10 with ForkFlap™**  
**Think2 System with E-Link™**  
**ICR™** Internal Cable Routing  
**Drop in Bearing System 1" 1/8 - 1"1/2**  
**Italian thread BB**  
**Seatclamp TwinForce**  
**3XAir™** two positions available  
**FlatBack Profile**  
**UCI Approved**  
**RAD SYSTEM** Disk brake  
**Front Axle 100x12mm Shimano®**  
**Rear Axle 142x12mm Shimano®**  
**Disk Flat Mount max 160mm**  
**Max Tyre 700x25mm**

**918 Red Magma**





**DOGMA**  
**F10**  
LIGHT

**DOGMA**  
**F10**  
LIGHT

**PINARELLO**  
ThinkAsymmetric

**Carbon Torayca T1100 UD Dream Carbon**  
with Nanoalloy Technology  
**Asymmetric Frame**  
**Fork ONDA F10 with ForkFlap™**  
**Think2 System with E-Link™**  
**ICR™** Internal Cable Routing  
Drop in Bearing System **1" 1/8 - 1"1/2**  
**Italian thread BB**  
Seatclamp **TwinForce**  
**3XAir™** two positions available  
for the second bottle  
**FlatBack Profile**  
**UCI Approved**  
**Max Tyre 700x25mm**

**949 Team Sky**





**DOGMA**  
**F10**  
**LIGHT**

**PINARELLO**  
Think Asymmetric

**Carbon Torayca T1100 UD Dream Carbon**  
with Nanoalloy Technology  
**Asymmetric Frame**  
**Fork ONDA F10 with ForkFlap™**  
**Think2 System with E-Link™**  
**ICR™** Internal Cable Routing  
Drop in Bearing System **1" 1/8 - 1" 1/2**  
**Italian thread BB**  
Seatclamp **TwinForce**  
**3XAir™** two positions available  
for the second bottle  
**FlatBack Profile**  
**UCI Approved**  
**Max Tyre 700x25mm**

**923 Red Lines**



**DOGMA**  
**F10**  
LIGHT

**PINARELLO**  
Think Asymmetric

**Carbon Torayca T1100 UD Dream Carbon**  
with Nanoalloy Technology  
**Asymmetric Frame**  
**Fork ONDA F10 with ForkFlap™**  
**Think2 System with E-Link™**  
**ICR™** Internal Cable Routing  
Drop in Bearing System **1" 1/8 - 1"1/2**  
**Italian thread BB**  
Seatclamp **TwinForce**  
**3XAir™** two positions available  
for the second bottle  
**FlatBack Profile**  
UCI Approved  
Max Tyre 700x25mm

**925 Black Matt**





DOGMA  
**K10**  
DISK



# DOGMA K10 DISK

**PINARELLO**  
ThinkAsymmetric

**Carbon Torayca T1100 1K Dream Carbon**  
with Nanoalloy Technology  
**Asymmetric Frame**  
**Fork ONDA F10 with ForkFlap™**  
**Think2 System with E-Link™**  
**ICR™** Internal Cable Routing  
Drop in Bearing System **1" 1/8 - 1"1/2**  
**Italian thread BB**  
Seatclamp **TwinForce**  
**3XAir™** two positions available  
**eDSS** Electronic suspension or **DSS** suspension  
**FlatBack Profile**  
**UCI Approved**  
**RAD SYSTEM** Disk brake  
**Front Axle 100x12mm** Shimano®  
**Rear Axle 142x12mm** Shimano®  
**Disk Flat Mount max 160mm**  
**Max Tyre 700x28mm**

**698 White Orange**



# DOGMA K10 DISK

**Carbon Torayca T1100 1K Dream Carbon**  
with Nanoalloy Technology  
**Asymmetric Frame**  
**Fork ONDA F10 with ForkFlap™**  
**Think2 System with E-Link™**  
**ICR™** Internal Cable Routing  
Drop in Bearing System 1" 1/8 - 1"1/2  
**Italian thread BB**  
Seatclamp **TwinForce**  
**3XAir™** two positions available  
**eDSS** Electronic suspension or **DSS** suspension  
**FlatBack Profile**  
**UCI Approved**  
**RAD SYSTEM** Disk brake  
**Front Axle 100x12mm** Shimano®  
**Rear Axle 142x12mm** Shimano®  
**Disk Flat Mount max 160mm**  
**Max Tyre 700x28mm**

**709 Sky K10**  
**710 Sky K10s**

**PINARELLO**  
ThinkAsymmetric



# DOGMA K10 DISK

**PINARELLO**  
ThinkAsymmetric

**Carbon Torayca T1100 1K Dream Carbon**  
with Nanoalloy Technology  
**Asymmetric Frame**  
**Fork ONDA F10 with ForkFlap™**  
**Think2 System with E-Link™**  
**ICR™** Internal Cable Routing  
Drop in Bearing System **1" 1/8 - 1"1/2**  
**Italian thread BB**  
Seatclamp **TwinForce**  
**3XAir™** two positions available  
**eDSS** Electronic suspension or **DSS** suspension  
**FlatBack Profile**  
**UCI Approved**  
**RAD SYSTEM** Disk brake  
**Front Axle 100x12mm** Shimano®  
**Rear Axle 142x12mm** Shimano®  
**Disk Flat Mount max 160mm**  
**Max Tyre 700x28mm**

**699 Black Red**





# DOGMA K10 DISK

**Carbon Torayca T1100 1K Dream Carbon**  
with Nanoalloy Technology  
**Asymmetric Frame**  
**Fork ONDA F10 with ForkFlap™**  
**Think2 System with E-Link™**  
**ICR™** Internal Cable Routing  
Drop in Bearing System 1" 1/8 - 1"1/2  
**Italian thread BB**  
Seatclamp **TwinForce**  
**3XAir™** two positions available  
**eDSS** Electronic suspension or **DSS** suspension  
**FlatBack Profile**  
**UCI Approved**  
**RAD SYSTEM** Disk brake  
**Front Axle 100x12mm** Shimano®  
**Rear Axle 142x12mm** Shimano®  
**Disk Flat Mount max 160mm**  
**Max Tyre 700x28mm**

700 BoB

**PINARELLO**  
ThinkAsymmetric





**DOGMA**  
**K10**

# DOGMA K10

Carbon Torayca T1100 1K Dream Carbon  
with Nanoalloy Technology  
Asymmetric Frame  
Fork ONDA F10 with ForkFlap™  
Think2 System with E-Link™  
ICR™ Internal Cable Routing  
Drop in Bearing System 1" 1/8 - 1"1/2  
Italian thread BB  
Seatclamp TwinForce  
3XAir™ two positions available  
for the second bottle  
FlatBack Profile  
UCI Approved  
Max Tyre 700x28mm

**PINARELLO**  
ThinkAsymmetric

701 White Orange





# DOGMA K10

Carbon Torayca T1100 1K Dream Carbon  
with Nanoalloy Technology

Asymmetric Frame

Fork ONDA F10 with ForkFlap™

Think2 System with E-Link™

ICR™ Internal Cable Routing

Drop in Bearing System 1" 1/8 - 1"1/2

Italian thread BB

Seatclamp TwinForce

3XAir™ two positions available  
for the second bottle

FlatBack Profile

UCI Approved

Max Tyre 700x28mm

**PINARELLO**  
ThinkAsymmetric

702 Black Red



# DOGMA K10

**Carbon Torayca T1100 1K Dream Carbon**  
with Nanoalloy Technology

**Asymmetric Frame**

**Fork ONDA F10 with ForkFlap™**

**Think2 System with E-Link™**

**ICR™** Internal Cable Routing

**Drop in Bearing System 1" 1/8 - 1"1/2**

**Italian thread BB**

Seatclamp **TwinForce**

**3XAir™** two positions available  
for the second bottle

**FlatBack Profile**

**UCI Approved**

**Max Tyre 700x28mm**

**PINARELLO**  
ThinkAsymmetric

703 BoB





**PRINCE  
FX**



# PRINCE FX

**Carbon T900**  
**Asymmetric Frame**  
**Fork ONDA with ForkFlap™**  
**Think2 System with E-Link™**  
**ICR™** Internal Cable Routing  
Drop in Bearing System 1" 1/8 - 1" 1/2  
**Italian thread BB**  
Seatclamp **TwinForce**  
**3XAir™** two positions available  
for the second bottle  
**FlatBack Profile**  
**UCI Approved**  
Max Tyre 700x28mm

**PINARELLO**  
ThinkAsymmetric

711 Gradient Vulcano





**PRINCE  
FX**

# PRINCE FX

**Carbon T900**  
**Asymmetric Frame**  
**Fork ONDA with ForkFlap™**  
**Think2 System with E-Link™**  
**ICR™** Internal Cable Routing  
Drop in Bearing System 1" 1/8 - 1"1/2  
**Italian thread BB**  
Seatclamp **TwinForce**  
**3XAir™** two positions available  
for the second bottle  
**FlatBack Profile**  
**UCI Approved**  
**Max Tyre 700x28mm**

**PINARELLO**  
ThinkAsymmetric

**712 Gradient Fluorite**







**PRINCE  
FX**

# PRINCE FX

PINARELLO  
ThinkAsymmetric

**Carbon T900**  
**Asymmetric Frame**  
**Fork ONDA with ForkFlap™**  
**Think2 System with E-Link™**  
**ICR™** Internal Cable Routing  
**Drop in Bearing System 1" 1/8 - 1"1/2**  
**Italian thread BB**  
Seatclamp **TwinForce**  
**3XAir™** two positions available  
for the second bottle  
**FlatBack Profile**  
**UCI Approved**  
**Max Tyre 700x28mm**

**713 Gradient Ametista**



# PRINCE FX

**Carbon T900**  
**Asymmetric Frame**  
**Fork ONDA with ForkFlap™**  
**Think2 System with E-Link™**  
**ICR™** Internal Cable Routing  
Drop in Bearing System 1" 1/8 - 1"1/2  
**Italian thread BB**  
Seatclamp **TwinForce**  
**3XAir™** two positions available  
for the second bottle  
**FlatBack Profile**  
**UCI Approved**  
Max Tyre 700x28mm

**736 Gradient Kunzite**  
Available also sizes Easy Fit

**PINARELLO**  
ThinkAsymmetric





# PRINCE FX

**Carbon T900**  
**Asymmetric Frame**  
**Fork ONDA with ForkFlap™**  
**Think2 System with E-Link™**  
**ICR™** Internal Cable Routing  
Drop in Bearing System 1" 1/8 - 1"1/2  
**Italian thread BB**  
Seatclamp **TwinForce**  
**3XAir™** two positions available  
for the second bottle  
**FlatBack Profile**  
**UCI Approved**  
Max Tyre 700x28mm

**PINARELLO**  
ThinkAsymmetric

747 BoB Metal





**PRINCE**

# PRINCE

**Carbon T700**  
**Asymmetric Frame**  
**Fork ONDA with ForkFlap™**  
**Think2 System with E-Link™**  
**ICR™** Internal Cable Routing  
**Drop in Bearing System 1" 1/8 - 1"1/2**  
**Italian thread BB**  
Seatclamp **TwinForce**  
**3XAir™** two positions available  
for the second bottle  
**FlatBack Profile**  
**UCI Approved**  
**Max Tyre 700x28mm**

**PINARELLO**  
ThinkAsymmetric

**715 Carbon Red**





# PRINCE

**Carbon T700**  
**Asymmetric Frame**  
**Fork ONDA with ForkFlap™**  
**Think2 System with E-Link™**  
**ICR™** Internal Cable Routing  
**Drop in Bearing System 1" 1/8 - 1"1/2**  
**Italian thread BB**  
Seatclamp **TwinForce**  
**3XAir™** two positions available  
for the second bottle  
**FlatBack Profile**  
**UCI Approved**  
**Max Tyre 700x28mm**

**PINARELLO**  
ThinkAsymmetric

**716 BoB**



# PRINCE

**Carbon T700**  
**Asymmetric Frame**  
**Fork ONDA with ForkFlap™**  
**Think2 System with E-Link™**  
**ICR™** Internal Cable Routing  
Drop in Bearing System 1" 1/8 - 1" 1/2  
**Italian thread BB**  
Seatclamp **TwinForce**  
**3XAir™** two positions available  
for the second bottle  
**FlatBack Profile**  
**UCI Approved**  
Max Tyre 700x28mm

**PINARELLO**  
ThinkAsymmetric

717 White Orange



# PRINCE

**Carbon T700**  
**Asymmetric Frame**  
**Fork ONDA with ForkFlap™**  
**Think2 System with E-Link™**  
**ICR™** Internal Cable Routing  
Drop in Bearing System 1" 1/8 - 1"1/2  
**Italian thread BB**  
Seatclamp **TwinForce**  
**3XAir™** two positions available  
for the second bottle  
**FlatBack Profile**  
UCI Approved  
Max Tyre 700x28mm

**PINARELLO**  
ThinkAsymmetric

**737 White Pink**  
Available also sizes Easy Fit







**PRINCE**  
**DISK**

# PRINCE DISK

PINARELLO  
Think Asymmetric

**Carbon T700**  
**Asymmetric Frame**  
**Fork ONDA with ForkFlap™**  
**Think2 System with E-Link™**  
**ICR™** Internal Cable Routing  
Drop in Bearing System 1" 1/8 - 1" 1/2  
**Italian thread BB**  
Seatclamp **TwinForce**  
**3XAir™** two positions available  
for the second bottle  
**FlatBack Profile**  
UCI Approved  
**RAD SYSTEM** Disk brake  
**Front Axle 100x12mm** Shimano®  
**Rear Axle 142x12mm** Shimano®  
**Disk Flat Mount max 160mm**  
**Max Tyre 700x28mm**

720 Orange



# PRINCE DISK

**PINARELLO**  
Think Asymmetric

**Carbon T700**  
**Asymmetric Frame**  
**Fork ONDA with ForkFlap™**  
**Think2 System with E-Link™**  
**ICR™** Internal Cable Routing  
Drop in Bearing System 1" 1/8 - 1" 1/2  
**Italian thread BB**  
Seatclamp **TwinForce**  
**3XAir™** two positions available  
for the second bottle  
**FlatBack Profile**  
**UCI Approved**  
**RAD SYSTEM** Disk brake  
**Front Axle 100x12mm** Shimano®  
**Rear Axle 142x12mm** Shimano®  
**Disk Flat Mount max 160mm**  
**Max Tyre 700x28mm**

**718 Carbon Red**





# PRINCE DISK

PINARELLO  
Think Asymmetric

**Carbon T700**  
**Asymmetric Frame**  
**Fork ONDA with ForkFlap™**  
**Think2 System with E-Link™**  
**ICR™** Internal Cable Routing  
Drop in Bearing System 1" 1/8 - 1"1/2  
**Italian thread BB**  
Seatclamp **TwinForce**  
**3XAir™** two positions available  
for the second bottle  
**FlatBack Profile**  
**UCI Approved**  
**RAD SYSTEM** Disk brake  
**Front Axle 100x12mm** Shimano®  
**Rear Axle 142x12mm** Shimano®  
**Disk Flat Mount max 160mm**  
**Max Tyre 700x28mm**

719 BoB





**PRINCE**  
**DISK**

# PRINCE DISK

**Carbon T700**  
**Asymmetric Frame**  
**Fork ONDA with ForkFlap™**  
**Think2 System with E-Link™**  
**ICR™** Internal Cable Routing  
**Drop in Bearing System 1" 1/8 - 1"1/2**  
**Italian thread BB**  
Seatclamp **TwinForce**  
**3XAir™** two positions available  
for the second bottle  
**FlatBack Profile**  
**UCI Approved**  
**RAD SYSTEM** Disk brake  
**Front Axle 100x12mm** Shimano®  
**Rear Axle 142x12mm** Shimano®  
**Disk Flat Mount max 160mm**  
**Max Tyre 700x28mm**

**741 Pink**

Available only sizes Easy Fit

**PINARELLO**  
ThinkAsymmetric







**GAN**

# GAN

Carbon Fiber T600  
Asymmetric Frame  
Drop in Bearing System 1" 1/8 - 1"1/2  
Think2 System  
Internal Cable Routing  
Italian BB  
FSC Frontal Seat Clamp  
FlatBack Profile  
Max Tyre 700x25mm  
UCI Approved

**PINARELLO**  
ThinkAsymmetric

722 Red





**GAN**



# GAN

Carbon Fiber T600  
Asymmetric Frame  
Drop in Bearing System 1" 1/8 - 1"1/2  
Think2 System  
Internal Cable Routing  
Italian BB  
FSC Frontal Seat Clamp  
FlatBack Profile  
Max Tyre 700x25mm  
UCI Approved

**PINARELLO**  
ThinkAsymmetric

850 Silver Yellow Fluo



# GAN

Carbon Fiber T600  
Asymmetric Frame  
Drop in Bearing System 1" 1/8 - 1"1/2  
Think2 System  
Internal Cable Routing  
Italian BB  
FSC Frontal Seat Clamp  
FlatBack Profile  
Max Tyre 700x25mm  
UCI Approved

**PINARELLO**  
ThinkAsymmetric

723 Orange



# GAN

Carbon Fiber T600  
Asymmetric Frame  
Drop in Bearing System 1" 1/8 - 1"1/2  
Think2 System  
Internal Cable Routing  
Italian BB  
FSC Frontal Seat Clamp  
FlatBack Profile  
Max Tyre 700x25mm  
UCI Approved

**PINARELLO**  
ThinkAsymmetric

721 BoB





# GAN

Carbon Fiber T600  
Asymmetric Frame  
Drop in Bearing System 1" 1/8 - 1"1/2  
Think2 System  
Internal Cable Routing  
Italian BB  
FSC Frontal Seat Clamp  
FlatBack Profile  
Max Tyre 700x25mm  
UCI Approved

**PINARELLO**  
ThinkAsymmetric

**738 Pink**

Available only sizes Easy Fit





**GAN  
DISK**

# GAN DISK

Carbon Fiber T600  
Asymmetric Frame  
Drop in Bearing System 1" 1/8 - 1"1/2  
Think2 System  
Internal Cable Routing  
Italian BB  
FSC Frontal Seat Clamp  
FlatBack Profile  
RAD SYSTEM Disk brake  
Front Axle 100x12mm Shimano®  
Rear Axle 142x12mm Shimano®  
Disk Flat Mount max 160mm  
Max Tyre 700x25mm  
UCI Approved

851 Orange

**PINARELLO**  
ThinkAsymmetric





# GAN DISK

Carbon Fiber T600  
Asymmetric Frame  
Drop in Bearing System 1" 1/8 - 1"1/2  
Think2 System  
Internal Cable Routing  
Italian BB  
FSC Frontal Seat Clamp  
FlatBack Profile  
RAD SYSTEM Disk brake  
Front Axle 100x12mm Shimano®  
Rear Axle 142x12mm Shimano®  
Disk Flat Mount max 160mm  
Max Tyre 700x25mm  
UCI Approved

725 Silver Yellow Fluo

**PINARELLO**  
ThinkAsymmetric



# GAN DISK

Carbon Fiber T600  
Asymmetric Frame  
Drop in Bearing System 1" 1/8 - 1"1/2  
Think2 System  
Internal Cable Routing  
Italian BB  
FSC Frontal Seat Clamp  
FlatBack Profile  
RAD SYSTEM Disk brake  
Front Axle 100x12mm Shimano®  
Rear Axle 142x12mm Shimano®  
Disk Flat Mount max 160mm  
Max Tyre 700x25mm  
UCI Approved

726 Sky

**PINARELLO**  
ThinkAsymmetric



# GAN DISK

Carbon Fiber T600  
Asymmetric Frame  
Drop in Bearing System 1" 1/8 - 1"1/2  
Think2 System  
Internal Cable Routing  
Italian BB  
FSC Frontal Seat Clamp  
FlatBack Profile  
RAD SYSTEM Disk brake  
Front Axle 100x12mm Shimano®  
Rear Axle 142x12mm Shimano®  
Disk Flat Mount max 160mm  
Max Tyre 700x25mm  
UCI Approved

724 BoB

**PINARELLO**  
ThinkAsymmetric





# GAN DISK

Carbon Fiber T600  
Asymmetric Frame  
Drop in Bearing System 1" 1/8 - 1"1/2  
Think2 System  
Internal Cable Routing  
Italian BB  
FSC Frontal Seat Clamp  
FlatBack Profile  
RAD SYSTEM Disk brake  
Front Axle 100x12mm Shimano®  
Rear Axle 142x12mm Shimano®  
Disk Flat Mount max 160mm  
Max Tyre 700x25mm  
UCI Approved

## 742 Pink

Available also sizes Easy Fit

**PINARELLO**  
ThinkAsymmetric





**GAN**  
**DISK**

**GAN**  
**DISK**

**PINARELLO**  
ThinkAsymmetric

Carbon Fiber T600  
Asymmetric Frame  
Drop in Bearing System 1" 1/8 - 1"1/2  
Think2 System  
Internal Cable Routing  
Italian BB  
FSC Frontal Seat Clamp  
FlatBack Profile  
RAD SYSTEM Disk brake  
Front Axle 100x12mm Shimano®  
Rear Axle 142x12mm Shimano®  
Disk Flat Mount max 160mm  
Max Tyre 700x28mm  
UCI Approved

745 Silver





**GAN**  
**DISK**

**PINARELLO**  
ThinkAsymmetric

Carbon Fiber T600  
Asymmetric Frame  
Drop in Bearing System 1" 1/8 - 1"1/2  
Think2 System  
Internal Cable Routing  
Italian BB  
FSC Frontal Seat Clamp  
FlatBack Profile  
RAD SYSTEM Disk brake  
Front Axle 100x12mm Shimano®  
Rear Axle 142x12mm Shimano®  
Disk Flat Mount max 160mm  
Max Tyre 700x28mm  
UCI Approved

743 BoB



**GAN**  
**DISK**

**PINARELLO**  
ThinkAsymmetric

Carbon Fiber T600  
Asymmetric Frame  
Drop in Bearing System 1" 1/8 - 1"1/2  
Think2 System  
Internal Cable Routing  
Italian BB  
FSC Frontal Seat Clamp  
FlatBack Profile  
RAD SYSTEM Disk brake  
Front Axle 100x12mm Shimano®  
Rear Axle 142x12mm Shimano®  
Disk Flat Mount max 160mm  
Max Tyre 700x28mm  
UCI Approved

**744 Orange**



**GAN**  
**DISK**

**PINARELLO**  
ThinkAsymmetric

Carbon Fiber T600  
Asymmetric Frame  
Drop in Bearing System 1" 1/8 - 1"1/2  
Think2 System  
Internal Cable Routing  
Italian BB  
FSC Frontal Seat Clamp  
FlatBack Profile  
RAD SYSTEM Disk brake  
Front Axle 100x12mm Shimano®  
Rear Axle 142x12mm Shimano®  
Disk Flat Mount max 160mm  
Max Tyre 700x28mm  
UCI Approved

**746 Pink**







**GAN**  
**GRS**  
**DISK**

**GAN**  
**GRS**  
**DISK**

**PINARELLO**  
Think Asymmetric

Carbon Fiber T900  
Asymmetric Frame  
Drop in Bearing System 1" 1/8 - 1"1/2  
Think2 System  
Internal Cable Routing  
Italian BB  
FSC Frontal Seat Clamp  
FlatBack Profile  
DSS 1.0 - Elastomeric Damper and FLEX STAYS  
RAD SYSTEM Disk brake  
Front Axle 100x12mm Shimano®  
Rear Axle 142x12mm Shimano®  
Disk Flat Mount max 160mm  
Max Tyre 700x35mm

**155 Carbon Matt**  
**Shiny Blue**



**GAN**  
**GRS**  
**DISK**

**PINARELLO**  
ThinkAsymmetric

Carbon Fiber T900  
Asymmetric Frame  
Drop in Bearing System 1" 1/8 - 1"1/2  
Think2 System  
Internal Cable Routing  
Italian BB  
FSC Frontal Seat Clamp  
FlatBack Profile  
DSS 1.0 - Elastomeric Damper and FLEX STAYS  
RAD SYSTEM Disk brake  
Front Axle 100x12mm Shimano®  
Rear Axle 142x12mm Shimano®  
Disk Flat Mount max 160mm  
Max Tyre 700x35mm

**153 Carbon Red**





**GAN**  
**GR5**  
**DISK**

**PINARELLO**  
Think Asymmetric

Carbon Fiber T900  
Asymmetric Frame  
Drop in Bearing System 1" 1/8 - 1"1/2  
Think2 System  
Internal Cable Routing  
Italian BB  
FSC Frontal Seat Clamp  
FlatBack Profile  
DSS 1.0 - Elastomeric Damper and FLEX STAYS  
RAD SYSTEM Disk brake  
Front Axle 100x12mm Shimano®  
Rear Axle 142x12mm Shimano®  
Disk Flat Mount max 160mm  
Max Tyre 700x35mm

154 Red



**GAN**  
**GR5**  
**DISK**

**PINARELLO**  
Think Asymmetric

Carbon Fiber T900  
Asymmetric Frame  
Drop in Bearing System 1" 1/8 - 1"1/2  
Think2 System  
Internal Cable Routing  
Italian BB  
FSC Frontal Seat Clamp  
FlatBack Profile  
DSS 1.0 - Elastomeric Damper and FLEX STAYS  
RAD SYSTEM Disk brake  
Front Axle 100x12mm Shimano®  
Rear Axle 142x12mm Shimano®  
Disk Flat Mount max 160mm  
Max Tyre 700x35mm

156 White





**GAN**  
**GR**  
**DISK**



**GAN**  
**GR**  
**DISK**

**PINARELLO**  
ThinkAsymmetric

Carbon Fiber T600  
Asymmetric Frame  
Drop in Bearing System 1" 1/8 - 1"1/2  
Think2 System  
Internal Cable Routing  
Italian BB  
FSC Frontal Seat Clamp  
FlatBack Profile  
Flex Stays RAD SYSTEM Disk brake  
Front Axle 100x12mm Shimano®  
Rear Axle 142x12mm Shimano®  
Disk Flat Mount max 160mm  
Max Tyre 700x35mm

**159 Carbon Matt**  
**Shiny Orange**



**GAN**  
**GR**  
**DISK**

**PINARELLO**  
Think Asymmetric

Carbon Fiber T600  
Asymmetric Frame  
Drop in Bearing System 1" 1/8 - 1"1/2  
Think2 System  
Internal Cable Routing  
Italian BB  
FSC Frontal Seat Clamp  
FlatBack Profile  
Flex Stays RAD SYSTEM Disk brake  
Front Axle 100x12mm Shimano®  
Rear Axle 142x12mm Shimano®  
Disk Flat Mount max 160mm  
Max Tyre 700x35mm

157 Carbon Red



**GAN**  
**GR**  
**DISK**

**PINARELLO**  
ThinkAsymmetric

Carbon Fiber T600  
Asymmetric Frame  
Drop in Bearing System 1" 1/8 - 1"1/2  
Think2 System  
Internal Cable Routing  
Italian BB  
FSC Frontal Seat Clamp  
FlatBack Profile  
Flex Stays RAD SYSTEM Disk brake  
Front Axle 100x12mm Shimano®  
Rear Axle 142x12mm Shimano®  
Disk Flat Mount max 160mm  
Max Tyre 700x35mm

158 Red





**GAN  
GR  
DISK**

**PINARELLO**  
Think Asymmetric

Carbon Fiber T600  
Asymmetric Frame  
Drop in Bearing System 1" 1/8 - 1"1/2  
Think2 System  
Internal Cable Routing  
Italian BB  
FSC Frontal Seat Clamp  
FlatBack Profile  
Flex Stays RAD SYSTEM Disk brake  
Front Axle 100x12mm Shimano®  
Rear Axle 142x12mm Shimano®  
Disk Flat Mount max 160mm  
Max Tyre 700x35mm

160 White





**RAZHA**

# RAZHA

Carbon T600  
Asymmetric Frame  
Drop in Bearing System 1" 1/8 - 1"1/2  
Think2 System  
Internal Cable Routing  
Italian BB  
Seatpost Round Ø31.6mm  
Max Tyre 700x23mm  
UCI Approved

**PINARELLO**  
ThinkAsymmetric

728 Orange





# RAZHA

Carbon T600  
Asymmetric Frame  
Drop in Bearing System 1" 1/8 - 1"1/2  
Think2 System  
Internal Cable Routing  
Italian BB  
Seatpost Round Ø31.6mm  
Max Tyre 700x23mm  
UCI Approved

**PINARELLO**  
ThinkAsymmetric

727 Black Red



# RAZHA

Carbon T600  
Asymmetric Frame  
Drop in Bearing System 1" 1/8 - 1"1/2  
Think2 System  
Internal Cable Routing  
Italian BB  
Seatpost Round Ø31.6mm  
Max Tyre 700x23mm  
UCI Approved

**PINARELLO**  
ThinkAsymmetric

729 Silver Yellow Fluo



# RAZHA

Carbon T600  
Asymmetric Frame  
Drop in Bearing System 1" 1/8 - 1"1/2  
Think2 System  
Internal Cable Routing  
Italian BB  
Seatpost Round Ø31.6mm  
Max Tyre 700x23mm  
UCI Approved

**PINARELLO**  
ThinkAsymmetric

**739 Silver Pink**  
Available only sizes Easy Fit





# ANGLIRU

Carbon T600  
Asymmetric Frame  
Drop in Bearing System 1" 1/8 - 1"1/2  
Think2 System  
Internal Cable Routing  
Italian BB  
Seatpost Round Ø31.6mm  
Max Tyre 700x28mm  
UCI Approved

**PINARELLO**  
ThinkAsymmetric

99 Carbon / shiny Fluo



# ANGLIRU

Carbon T600  
Asymmetric Frame  
Drop in Bearing System 1" 1/8 - 1"1/2  
Think2 System  
Internal Cable Routing  
Italian BB  
Seatpost Round Ø31.6mm  
Max Tyre 700x28mm  
UCI Approved

**PINARELLO**  
ThinkAsymmetric

100 Carbon Red Shiny



# ANGLIRU

Carbon T600  
Asymmetric Frame  
Drop in Bearing System 1" 1/8 - 1"1/2  
Think2 System  
Internal Cable Routing  
Italian BB  
Seatpost Round Ø31.6mm  
Max Tyre 700x28mm  
UCI Approved

**PINARELLO**  
ThinkAsymmetric

101 Carbon White Shiny





# MERCURIO DISK

Carbon T600  
Drop in Bearing System 1" 1/8 - 1"1/4  
Think2 System  
Internal Cable Routing  
Italian BB  
RAD SYSTEM Disk brake  
Disk Post Mount max 160mm  
Seatpost Round Ø31.6mm  
Max Tyre 700x28 mm with fenders

**PINARELLO**  
ThinkAsymmetric

734 White



# MERCURIO DISK

Carbon T600  
Drop in Bearing System 1" 1/8 - 1"1/4  
Think2 System  
Internal Cable Routing  
Italian BB  
RAD SYSTEM Disk brake  
Disk Post Mount max 160mm  
Seatpost Round Ø31.6mm  
Max Tyre 700x28 mm with fenders

**PINARELLO**  
ThinkAsymmetric

733 BoB



# MERCURIO DISK

**PINARELLO**  
ThinkAsymmetric

Carbon T600  
Drop in Bearing System 1" 1/8 - 1"1/4  
Think2 System  
Internal Cable Routing  
Italian BB  
RAD SYSTEM Disk brake  
Disk Post Mount max 160mm  
Seatpost Round Ø31.6mm  
Max Tyre 700x28 mm with fenders

735 Carbon Red





# NEOR

Alloy 6061 T6  
Hydroformed Frame  
ONDA Carbon Fork  
Carbon Rear Stays  
Drop in 1" 1/8 - 1" 1/2  
External Cable Routing  
Italian BB  
Max Tires 700x23mm  
Seatpost Round Ø31.6mm  
UCI Approved

**PINARELLO**  
ThinkAsymmetric

72 Black - Red / shiny



# NEOR

Alloy 6061 T6  
Hydroformed Frame  
ONDA Carbon Fork  
Carbon Rear Stays  
Drop in 1" 1/8 - 1" 1/2  
External Cable Routing  
Italian BB  
Max Tires 700x23mm  
Seatpost Round Ø31.6mm  
UCI Approved

**PINARELLO**  
ThinkAsymmetric

73 White / shiny



# PRIMA

Alloy 6061 T6  
Hydroformed Frame  
ONDA Carbon Fork  
Drop in 1" 1/8 - 1" 1/2  
External Cable Routing  
Italian BB  
Max Tires 700x23mm  
Seatpost Round Ø31.6mm

**PINARELLO**  
ThinkAsymmetric

730 Silver Yellow Fluo





# PRIMA

Alloy 6061 T6  
Hydroformed Frame  
ONDA Carbon Fork  
Drop in 1" 1/8 - 1" 1/2  
External Cable Routing  
Italian BB  
Max Tires 700x23mm  
Seatpost Round Ø31.6mm

**PINARELLO**  
ThinkAsymmetric

731 Black Matt



# PRIMA

Alloy 6061 T6  
Hydroformed Frame  
ONDA Carbon Fork  
Drop in 1" 1/8 - 1" 1/2  
External Cable Routing  
Italian BB  
Max Tires 700x23mm  
Seatpost Round Ø31.6mm

**PINARELLO**  
ThinkAsymmetric

732 Italia



# SPEEDY T6

Alloy 6061 T6  
Aluminium Fork  
Drop in 1" 1/8  
External Cable Routing  
Italian BB  
Tire 24"x25mm  
Seatpost Round 31,6mm

**PINARELLO**  
Think Asymmetric

791 White / shiny







**NYTRO**  
PERFORMANCE REFINED

**NYTIRO**  
PERFORMANCE REFINED

**PINARELLO**  
Think Asymmetric

Carbon Fiber T700  
Asymmetric Frame  
Drop in Bearing System 1" 1/8 - 1"1/2  
FAZUA® EVATION Power system  
Internal Cable Routing  
FSC Frontal Seat Clamp  
FlatBack Profile  
RAD SYSTEM Disk brake  
Front Axle 100x12mm Shimano®  
Rear Axle 142x12mm Shimano®  
Disk Flat Mount max 160mm  
Max Tyre 700x28mm

936 Carbon Red





**NYTIRO**  
PERFORMANCE REFINED

**PINARELLO**  
ThinkAsymmetric

Carbon Fiber T700  
Asymmetric Frame  
Drop in Bearing System 1" 1/8 - 1"1/2  
FAZUA® EVATION Power system  
Internal Cable Routing  
FSC Frontal Seat Clamp  
FlatBack Profile  
RAD SYSTEM Disk brake  
Front Axle 100x12mm Shimano®  
Rear Axle 142x12mm Shimano®  
Disk Flat Mount max 160mm  
Max Tyre 700x28mm

937 Carbon







ADI  
COMPASSO D'ORO  
INTERNATIONAL  
AWARD

**BOLIDE II**

# **BOLIDE TT** **PINARELLO**

Carbon T1100  
with NANOALLOY Technology

Time Trial BIKE  
Asymmetric Frame  
Drop in Bearing System 1" 1/8 - 1"1/4  
Italian BB  
Front Axle Quick Release 100mm  
Rear Axle Quick Release 135mm  
Max Tires 700x23  
Seatpost Aero with Aero Rear Clamp  
UCI Approved

**899** Team SKY

**PINARELLO**  
ThinkAsymmetric



# **BOLIDE** HR **PINARELLO**

Carbon T1100 1K  
with NANOALLOY Technology

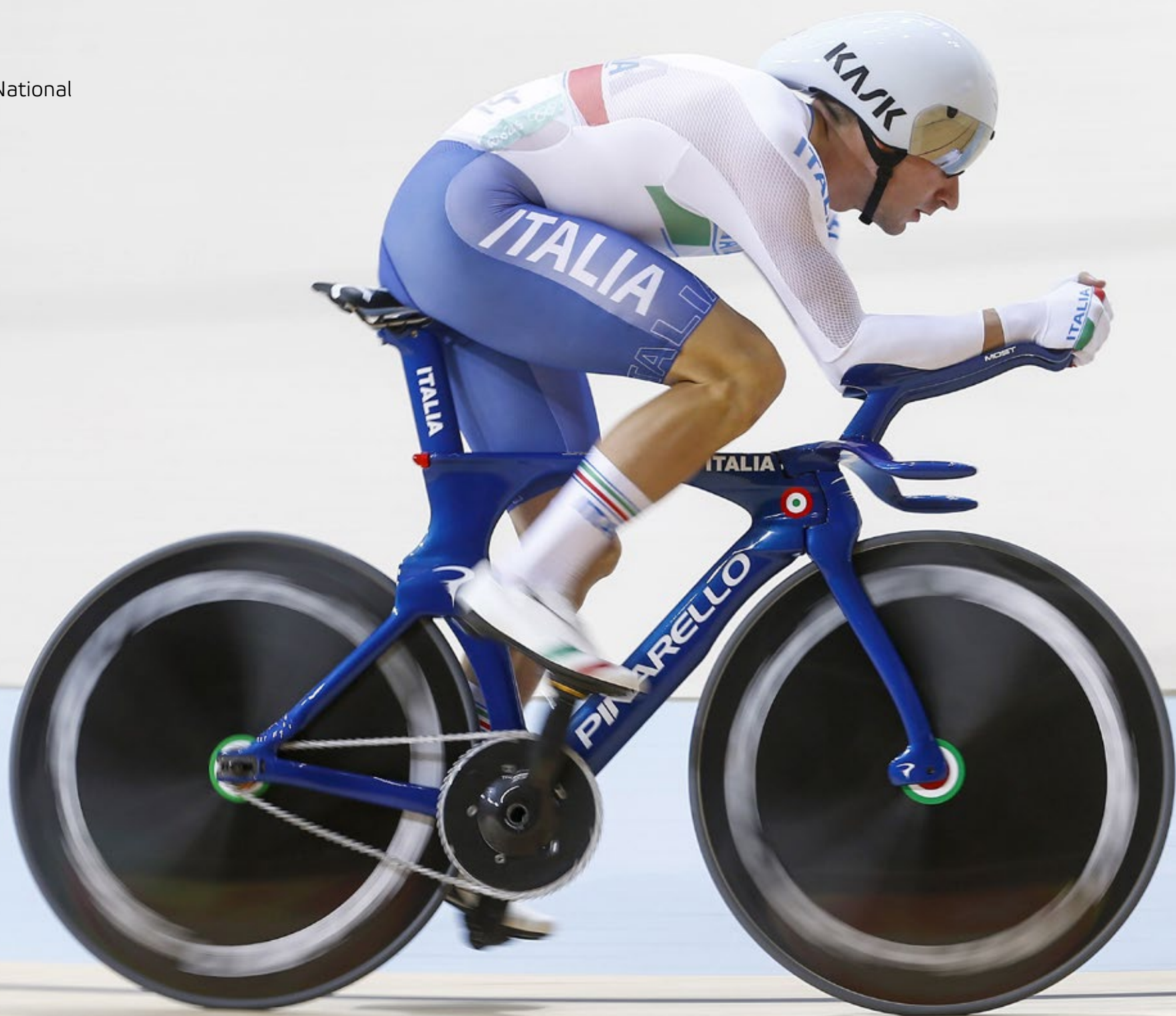
Track BIKE  
Asymmetric Frame  
Drop in Bearing System 1" 1/8 - 1"1/4  
Italian BB  
Axles Bolt-ON  
Max Tires 700x23  
Seatpost Aero with Aero Rear Clamp  
UCI Approved

**PINARELLO**  
ThinkAsymmetric

**866** White - Blue - Red / shiny







# MAAT

Carbon Torayca 60HM1K  
with Nanoalloy Technology  
Integral System Onda 1" 1/4 - 1" 3/4  
BSA BB  
Max Tires 700x23  
Seatpost Aero with Twinforce closure  
UCI Approved

**PINARELLO**  
Think Asymmetric

766 Black - Red / shiny





# MARAT

Carbon Torayca 60HM1K  
with Nanoalloy Technology  
Asymmetric Frame  
Integral System Onda 1" 1/4 - 1" 3/4  
BSA BB  
Axles Bolt-ON  
Max Tires 700x23  
Seatpost Aero with Twinforce closure  
UCI Approved

**PINARELLO**  
ThinkAsymmetric

767 White - Red / shiny







**XTRACK**

# XTRACK

Carbon T700  
Integral System Onda 1" 1/8  
Italian BB  
Axles Bolt-ON  
Maximum Tyres 700x23mm  
Seatpost Round Ø31.6mm

**PINARELLO**  
ThinkAsymmetric

81 Carbon / matt · Red / shiny



# PISTA

Aluminium 6061 T6  
Integral System Onda 1" 1/8  
Carbon FORK  
Italian BB  
Axles Bolt-ON  
Maximum Tyres 700x23mm  
Seatpost Round Ø31.6mm

**PINARELLO**  
ThinkAsymmetric

83 Red / shiny





# TREVISO DISK

Carbon T600  
Drop in Bearing System 1" 1/8 - 1"1/4  
Think2 System  
Internal Cable Routing  
Italian BB  
RAD SYSTEM Disk brake  
Disk Post Mount max 160mm  
Seatpost Round Ø31.6mm  
Max Tyre 700x28 mm with fenders

**PINARELLO**  
ThinkAsymmetric

**740** Carbon  
Iris Chamelleon



# TREVISO DISK

Carbon T600  
Drop in Bearing System 1" 1/8 - 1"1/4  
Think2 System  
Internal Cable Routing  
Italian BB  
RAD SYSTEM Disk brake  
Disk Post Mount max 160mm  
Seatpost Round Ø31.6mm  
Max Tyre 700x28 mm with fenders

**PINARELLO**  
ThinkAsymmetric

79 Urban Grey / matt



# TREVISO DISK

Carbon T600  
Drop in Bearing System 1" 1/8 - 1"1/4  
Think2 System  
Internal Cable Routing  
Italian BB  
RAD SYSTEM Disk brake  
Disk Post Mount max 160mm  
Seatpost Round Ø31.6mm  
Max Tyre 700x28 mm with fenders

PINARELLO  
ThinkAsymmetric

80 BoB / ma





*Lungavita*

**LUNGAVITA** Single Speed

Alloy 6061 T6

**PINARELLO**  
ThinkAsymmetric

**162 ITALIA**



*Lungavita*  
**LUNGAVITA** Single Speed  
Alloy 6061 T6

**PINARELLO**  
ThinkAsymmetric

**249** MAGLIA NERA / shiny





**DOGMA**  
**XC**  
29"



**DOGMA  
XC**

**PINARELLO**  
Think Asymmetric

Carbon T900  
Nanoalloy Technology  
Asymmetric Frame System  
PinaFIT with ForkStopper  
ONDA XC Twin Arms  
Think 2 MTB Internal Cable Routing  
Xpower System Closure  
BBTYPE BB92  
Rad System Disk Post Mount Max 180mm  
Rear Axle 142x12 Shimano  
External Fork Travel 100mm  
Deraillieur support Shimano E2  
Maximum Tyres 29" x 2,25"  
Seatpost Round Ø31.6mm

**163 Red**



**29"**

**DOGMA  
XC**

Carbon T900  
Nanoalloy Technology  
Asymmetric Frame System  
PinaFIT with ForkStopper  
ONDA XC Twin Arms  
Think 2 MTB Internal Cable Routing  
Xpower System Closure  
BBTYPE BB92  
Rad System Disk Post Mount Max 180mm  
Rear Axle 142x12 Shimano  
External Fork Travel 100mm  
Derailleur support Shimano E2  
Maximum Tyres 29" x 2,25"  
Seatpost 31,6mm

**85** Carbon / matt · Red / shiny

**PINARELLO**  
ThinkAsymmetric



**29"**

**DOGMA  
XC**

**PINARELLO**  
ThinkAsymmetric

Carbon T900  
Nanoalloy Technology  
Asymmetric Frame System  
PinaFIT with ForkStopper  
ONDA XC Twin Arms  
Think 2 MTB Internal Cable Routing  
Xpower System Closure  
BBTYPE BB92  
Rad System Disk Post Mount Max 180mm  
Rear Axle 142x12 Shimano  
External Fork Travel 100mm  
Derailleur support Shimano E2  
Maximum Tyres 27.5" x 2,25"  
Seatpost Round Ø31.6mm

**84** BoB / matt



**29"**





**DOGMA**  
**XC**  
27.5

**DOGMA  
XC**

Carbon T900  
Nanoalloy Technology  
Asymmetric Frame System  
PinaFIT with ForkStopper  
ONDA XC Twin Arms  
Think 2 MTB Internal Cable Routing  
Xpower System Closure  
BBTYPE BB92  
Rad System Disk Post Mount Max 180mm  
Rear Axle 142x12 Shimano  
External Fork Travel 100mm  
Derailleur support Shimano E2  
Maximum Tyres 29" x 2,25"  
Seatpost 31,6mm

**86** BoB / matt

**PINARELLO**  
ThinkAsymmetric



**27.5**

**DOGMA  
XC**

**PINARELLO**  
Think Asymmetric

Carbon T900  
Nanoalloy Technology  
Asymmetric Frame System  
PinaFIT with ForkStopper  
ONDA XC Twin Arms  
Think 2 MTB Internal Cable Routing  
Xpower System Closure  
BBTYPE BB92  
Rad System Disk Post Mount Max 180mm  
Rear Axle 142x12 Shimano  
External Fork Travel 100mm  
Deraillieur support Shimano E2  
Maximum Tyres 27.5" x 2,25"  
Seatpost Round Ø31.6mm

**164 IRIS Blue**



**27.5**



**DOGMA  
XC**

**PINARELLO**  
ThinkAsymmetric

Carbon T900  
Nanoalloy Technology  
Asymmetric Frame System  
PinaFIT with ForkStopper  
ONDA XC Twin Arms  
Think 2 MTB Internal Cable Routing  
Xpower System Closure  
BBTYPE BB92  
Rad System Disk Post Mount Max 180mm  
Rear Axle 142x12 Shimano  
External Fork Travel 100mm  
Deraillieur support Shimano E2  
Maximum Tyres 27.5" x 2,25"  
Seatpost Round Ø31.6mm

**87** Carbon / matt · Yellow Fluo / shiny



**27.5**



**ROKH**  
**XC**  
**29"**

# ROKH XC

**PINARELLO**  
ThinkAsymmetric

Carbon T700  
Asymmetric Frame System  
PinaFIT with ForkStopper  
Think 2 MTB Internal Cable Routing  
BBTYPE BB92  
Rad System Disk Post Mount Max 180mm  
Rear Axle 142x12 Shimano  
External Fork Travel 90mm  
Deraillieur support Shimano E2  
Maximum Tyres 29" x 2,1"  
Seatpost Round Ø31.6mm

**88** Carbon - Yellow Fluo - Sky / matt



29"



# ROKH XC

**PINARELLO**  
ThinkAsymmetric

Carbon T700  
Asymmetric Frame System  
PinaFIT with ForkStopper  
Think 2 MTB Internal Cable Routing  
BBTYPE BB92  
Rad System Disk Post Mount Max 180mm  
Rear Axle 142x12 Shimano  
External Fork Travel 90mm  
Deraillieur support Shimano E2  
Maximum Tyres 29" x 2,1"  
Seatpost Round Ø31.6mm

89 Carbon - Silver - Gold / matt



29"



**ANDROMEDA**  
e-carbon T700

# ANDROMEDA e<carbon T700

Carbon T700  
SHIMANO STEPS E8000  
Shimano STEPS E8000 central motor  
Shimano 500 Wh battery pack  
Fork travel 120 mm  
Rad system disk Post Mount 180mm  
Rear Axle 142x12 Shimano  
Maximum Tyres 29"x3.0"  
Seatpost round Ø31.6mm  
Internal cable routing

**PINARELLO**  
ThinkAsymmetric

194 Carbon Orange





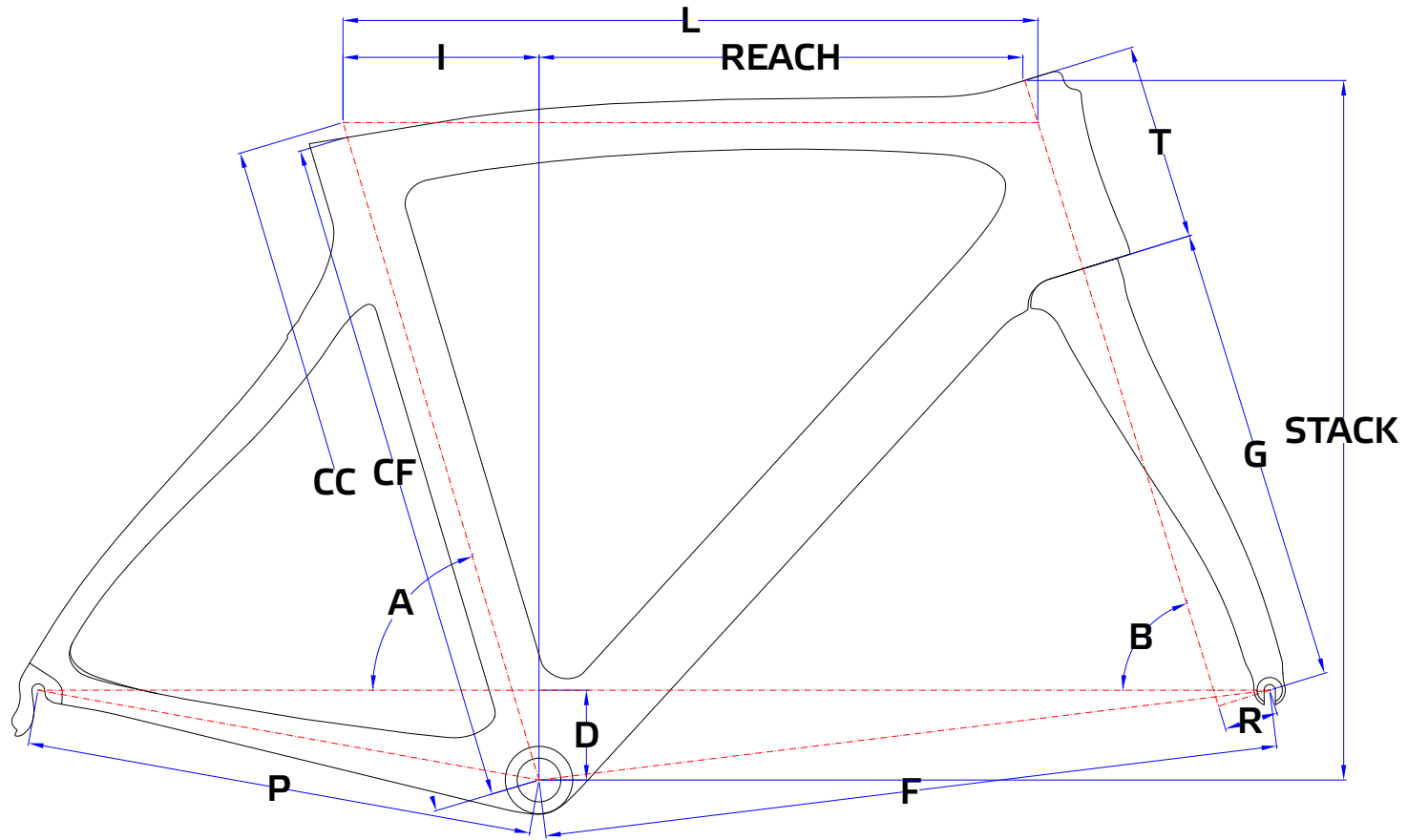
# ANDROMEDA e<carbon T700

Carbon T700  
SHIMANO STEPS E8000  
Shimano STEPS E8000 central motor  
Shimano 500 Wh battery pack  
Fork travel 120 mm  
Rad system disk Post Mount 180mm  
Rear Axle 142x12 Shimano  
Maximum Tyres 29"x3.0"  
Seatpost round Ø31.6mm  
Internal cable routing

**PINARELLO**  
ThinkAsymmetric

195 Carbon White





## DOGMA F10 / DOGMA XLIGHT / DOGMA F10 Disk

CF	CC	L	I	A [°]	B [°]	F	P	T	D	R	G	REACH	STACK
415	<b>420**</b>	498	113	74.40°	69.15°	564	406	105	67	43	367	351	493
435	<b>440</b>	503	118	74.40°	70.00°	564	406	110	67	43	367	357	501
455	<b>465</b>	515	125	74.40°	70.50°	573	406	115	72	43	367	367	512
455	<b>470**</b>	525	128	74.00°	71.40°	575	406	125	72	43	367	373	525
480	<b>500</b>	525	138	74.00°	71.40°	575	406	120	72	43	367	374	520
495	<b>515</b>	535	145	73.70°	72.00°	577	406	125	72	43	367	380	527
510	<b>530</b>	545	149	73.70°	72.50°	583	406	139	72	43	367	386	542
520	<b>540</b>	550	154	73.40°	72.80°	583	406	147	72	43	367	386	550
530	<b>550</b>	557	157	73.40°	72.80°	590	408	158	72	43	367	389	561
540	<b>560</b>	565	164	73.00°	73.20°	591	408	165	72	43	367	391	569
555	<b>575</b>	575	168	73.00°	73.70°	596	408	179	72	43	367	397	584
575	<b>595</b>	587	180	72.40°	73.40°	605	408	215	67	43	367	394	612
615	<b>620*</b>	620	192	72.00°	73.40°	633	411	255	67	43	367	410	651

\* DOGMA F10 Xlight NOT AVAILABLE IN 620 SIZE

\*\*DOGMA F10 DISK NOT AVAILABLE IN 420-470 SIZES

## DOGMA K10/ DOGMA K10-S Disk

CF	CC	L	I	A [°]	B [°]	F	P	T	D	R	G	REACH	STACK
440	<b>440</b>	503	118	74,40	69,50	572	420	115	67	47	373	353	508
463	<b>465</b>	515	125	74,40	70,00	581	420	120	72	47	373	364	520
495	<b>500</b>	525	138	74,00	70,90	583	420	125	72	47	373	371	528
508	<b>515</b>	535	145	73,70	71,50	586	415	130	72	47	373	377	535
520	<b>530</b>	545	149	73,70	72,00	592	415	144	72	47	373	383	550
528	<b>540</b>	550	154	73,40	72,30	592	415	152	72	47	373	383	559
535	<b>550</b>	557	157	73,40	72,30	599	415	163	72	47	373	386	569
543	<b>560</b>	565	164	73,00	72,70	599	415	170	72	47	373	388	577
558	<b>575</b>	575	168	73,00	73,20	605	415	184	72	47	373	394	593
589	<b>595</b>	587	180	72,40	72,90	614	415	220	67	47	373	391	621



## PRINCE FX / PRINCE /PRINCE DISK /GAN /GAN DISK

CF	CC	L	I	A [°]	B [°]	F	P	T	D	R	G	REACH	STACK
435	<b>440</b>	503	118	74,40	70,00	565	408	115	67	43	367	354	506
460	<b>465</b>	515	124	74,40	70,50	575	408	120	67	43	367	367	513
495	<b>500</b>	525	138	74,00	71,40	575	408	125	72	43	367	372	525
510	<b>515</b>	535	145	73,70	72,00	577,5	408	130	72	43	367	378	532
525	<b>530</b>	545	149	73,70	72,50	583	408	139	72	43	367	386	543
535	<b>540</b>	550	154	73,40	72,80	583	408	152	72	43	367	384	556
545	<b>550</b>	557	157	73,40	72,80	590	408	163	72	43	367	387	567
555	<b>560</b>	565	163	73,00	73,20	591	410	170	72	43	367	390	575
570	<b>575</b>	575	168	73,00	73,70	596	410	184	72	43	367	395	590
590	<b>595</b>	587	180	72,40	73,40	605	410	210	67	43	367	395	609
615	<b>620*</b>	620	192	72,00	73,40	633	411	255	67	43	367	410	651

\*GAN and GAN DISK NOT AVAILABLE IN SIZE 620

## PRINCE FX EASY FIT / PRINCE EASY FIT / PRINCE DISK EASY FIT / GAN EASY FIT / GAN DISK EASY FIT

CF	CC	L	I	A [°]	B [°]	F	P	T	D	R	G	REACH	STACK
440	<b>425</b>	500	117	74,00	70,00	563	408	115	67	50	367	348	504
475	<b>460</b>	512	127	74,00	71,00	570	408	130	67	50	367	358	522
505	<b>490</b>	528	139	73,50	72,00	575	408	145	72	50	367	365	544
525	<b>510</b>	545	149	73,00	72,00	588	408	155	72	50	367	374	554

## GAN K DISK

CF	CC	L	I	A [°]	B [°]	F	P	T	D	R	G	REACH	STACK
435	<b>425</b>	495	112	74,75	69,25	567	415	112	67	47	373	348	504
450	<b>440</b>	502	118	74,50	69,50	572	415	117	67	47	373	352	510
480	<b>470</b>	515	130	74,00	70,00	578	415	120	72	47	373	361	519
510	<b>500</b>	530	142	73,50	71,00	582	415	128	72	47	373	370	530
540	<b>530</b>	550	155	73,00	72,00	590	415	145	72	47	373	381	550
570	<b>560</b>	570	168	72,50	72,50	601	415	170	72	47	373	388	576
600	<b>590</b>	595	182	72,00	72,50	621	415	215	67	47	373	396	614

## GAN GR-S DISK / GAN GR DISK

CF	CC	L	I	A [°]	B [°]	F	P	T	D	R	G	REACH	STACK
445	<b>425</b>	505	114	74,50	69,50	578	430	120	62	50	390	349	522
450	<b>440</b>	510	118	74,50	69,50	583	430	120	67	50	390	354	527
480	<b>470</b>	525	130	74,00	70,00	593	430	125	67	50	390	366	534
510	<b>500</b>	540	142	73,50	71,00	597	425	135	67	50	390	375	547
540	<b>530</b>	555	155	73,00	72,00	599	425	150	67	50	390	381	565
570	<b>560</b>	575	168	72,50	72,50	610	430	175	67	50	390	389	591
600	<b>590</b>	595	182	72,00	72,50	625	430	200	67	50	390	396	615

## RAZHA

CF	CC	L	I	A [°]	B [°]	F	P	T	D	R	G	REACH	STACK
460	<b>440</b>	503	118	74,40	70,00	565	406	115	67	43	367	355	505
485	<b>465</b>	515	124	74,40	70,50	575	406	120	67	43	367	367	512
520	<b>500</b>	525	138	74,00	71,40	575	406	125	72	43	367	372	525
535	<b>515</b>	535	145	73,70	72,00	577,5	406	130	72	43	367	378	531
550	<b>530</b>	545	149	73,70	72,50	583	406	144	72	43	367	384	546
560	<b>540</b>	550	154	73,40	72,80	583	406	152	72	43	367	384	555
570	<b>550</b>	557	157	73,40	72,80	590	406	163	72	43	367	388	566
580	<b>560</b>	565	163	73,00	73,20	592	408	170	72	43	367	390	574
595	<b>575</b>	575	168	73,00	73,70	596	408	184	72	43	367	396	589
615	<b>595</b>	587	180	72,40	73,40	605	408	210	67	43	367	395	608

## RAZHA EASY FIT

CF	CC	L	I	A [°]	B [°]	F	P	T	D	R	G	REACH	STACK
445	<b>425</b>	500	117	74,00	70,00	563	406	120	72	50	367	345	513
480	<b>460</b>	512	127	74,00	71,00	570	406	135	72	50	367	355	530
510	<b>490</b>	528	139	73,50	72,00	575	406	145	72	50	367	365	543
530	<b>510</b>	545	149	73,00	72,00	588	406	155	72	50	367	375	553

## ANGLIRU

CF	CC	L	I	A [°]	B [°]	F	P	T	D	R	G	REACH	STACK
450	<b>430</b>	505	122	73,50	69,50	566	413	120	67	47	373	345	512
480	<b>460</b>	518	131	73,50	70,50	574	413	130	67	47	373	357	525
510	<b>490</b>	532	139	73,50	72,00	577	413	140	67	47	373	370	540
540	<b>520</b>	545	152	73,00	73,00	577	413	160	72	47	373	371	568
555	<b>535</b>	557	157	73,00	73,00	589	413	175	72	47	373	379	582
570	<b>550</b>	570	161	73,00	73,00	601	413	190	72	47	373	388	597
590	<b>570</b>	585	172	72,50	73,00	611	413	215	72	47	373	390	621



## PRIMA

CF	CC	L	I	A [°]	B [°]	F	P	T	D	R	G	REACH	STACK
440	<b>420</b>	500	112	74,50	69,50	565	403	105	64	43	367	355	492
475	<b>440</b>	518	117	74,50	71,00	579	403	110	64	43	367	374	501
495	<b>460</b>	520	124	74,50	71,00	580	403	113	67	43	367	375	507
535	<b>500</b>	529	136	74,25	72,50	573	406	120	72	43	367	380	524
555	<b>520</b>	539	147	73,50	72,00	582	406	139	72	43	367	378	540
575	<b>540</b>	550	153	73,50	73,00	583	407	152	72	43	367	385	556
595	<b>560</b>	566	161	73,25	73,50	592	408	172	72	43	367	393	577
615	<b>580</b>	575	174	72,50	73,25	596	409	190	69	43	367	390	590
635	<b>600</b>	583	181	72,50	73,25	604	409	214	64	43	367	392	608
655	<b>620</b>	592	191	72,00	73,00	610	410	225	64	43	367	392	618

## NEOR

CF	CC	L	I	A [°]	B [°]	F	P	T	D	R	G	REACH	STACK
440	<b>420</b>	500	112	74,50	69,50	565	406	105	67	43	367	355	492
455	<b>440</b>	510	118	74,50	71,00	565	406	110	67	43	367	365	504
475	<b>460</b>	515	123	74,50	71,00	571	406	115	67	43	367	370	509
515	<b>500</b>	528	136	74,25	72,25	573	406	120	72	43	367	379	523
535	<b>520</b>	540	146	73,65	72,00	582	406	139	72	43	367	380	540
555	<b>540</b>	550	154	73,45	72,80	584	408	152	72	43	367	385	555
575	<b>560</b>	565	160	73,35	73,45	592	408	172	72	43	367	393	576
595	<b>580</b>	575	174	72,50	73,15	597	408	190	67	43	367	390	588
615	<b>600</b>	585	180	72,50	73,15	606	408	214	67	43	367	393	611
635	<b>620</b>	595	192	72,00	72,90	613	410	235	67	43	367	391	630

## SPEEDY

CF	CC	L	I	A [°]	B [°]	F	P	T	D	R	G	REACH	STACK
415	<b>380</b>	465	95	75,50	72,50	526	350	97	39	45	329	353	431

## NYTRO

CF	CC	L	I	A [°]	B [°]	F	P	T	D	R	G	REACH	STACK
465	<b>465</b>	525	138	74,00	71,40	412	582	130	72	50	370	370	531
488	<b>500</b>	525	138	74,00	71,40	412	582	130	72	50	370	370	531
518	<b>530</b>	545	161	73,70	72,50	412	591	149	72	50	370	382	553
538	<b>550</b>	560	156	73,40	72,80	412	600	168	72	50	370	389	572
568	<b>580</b>	590	174	72,50	73,50	412	615	215	67	50	370	397	615

## BOLIDE HR

CF	CC	L	I	A [°]	B [°]	F	P	T	D	R	G	REACH	STACK
514	<b>450</b>	488	101	77,00	72,00	557	385	74	62	43	368,5	377	469
539	<b>525</b>	514	118	77,00	73,00	582	385	94	62	43	368,5	402	492
554	<b>550</b>	545	123	77,00	73,00	614	385	110	62	43	368,5	430	508

## BOLIDE TT

CF	CC	L	I	A [°]	B [°]	F	P	T	D	R	G	REACH	STACK
472	<b>450</b>	488	101	77,00	72,00	559	395	70	57	43	368,5	380	461
492	<b>485</b>	507	109	77,00	72,50	576	395	82	62	43	368,5	396	479
508	<b>520</b>	526	117	77,00	73,00	593	395	96	62	43	368,5	413	494
521	<b>550</b>	545	124	77,00	73,00	614	395	110	62	43	368,5	430	507

## MAAT

CF	CC	L	I	A [°]	B [°]	F	P	T	D	R	G	REACH	STACK
455	<b>425</b>	518	103	76,00	73,50	545	368,5	80	46	19	370	398	472
480	<b>450</b>	533	109	76,00	74,00	558	368,5	95	46	19	370	409	488
500	<b>470</b>	553	122	75,00	74,00	570	368,5	110	46	19	370	418	502
515	<b>485</b>	573	126	75,00	74,00	590	368,5	125	46	19	370	434	517
530	<b>500</b>	593	129	75,00	74,00	610	368,5	140	46	19	370	450	531

## XTRACK

CF	CC	L	I	A [°]	B [°]	F	P	T	D	R	G	REACH	STACK
487	<b>460</b>	520	117	75,25	74,50	553	375	110	52	38	367	387	501
542	<b>515</b>	536	138	74,50	74,50	563	375	144	52	38	367	388	534
559	<b>532</b>	552	142	74,50	74,50	580	375	160	52	38	367	400	550
577	<b>550</b>	567	147	74,50	74,50	594	375	174	52	38	367	411	563
607	<b>580</b>	582	162	73,80	74,50	601	375	204	52	38	367	410	592

## PISTA

CF	CC	L	I	A [°]	B [°]	F	P	T	D	R	G	REACH	STACK
452	<b>415</b>	500	106	75,25	74,50	533	404	75	52	38	367	376	468
487	<b>450</b>	520	115	75,25	74,50	554	404	110	52	38	367	387	501
542	<b>510</b>	536	136	74,50	74,50	563	404	144	52	38	367	388	534
559	<b>525</b>	552	140	74,50	74,50	579	404	160	52	38	367	400	550
577	<b>540</b>	567	144	74,50	74,50	594	404	174	52	38	367	411	563
607	<b>570</b>	582	159	73,80	74,50	602	404	204	52	38	367	411	592

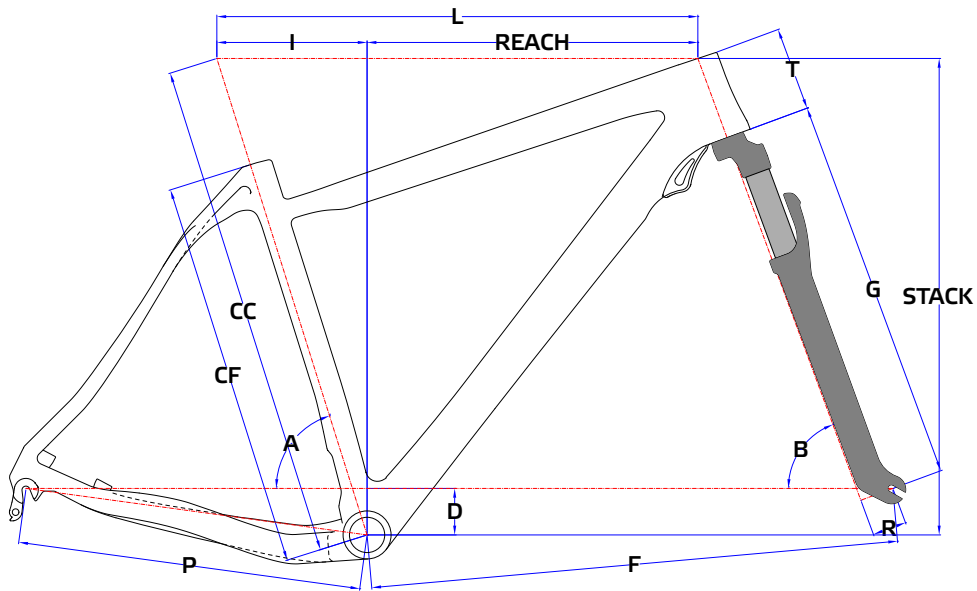


## MERCURIO DISK - TREVISO CARBON DISK

CF	CC	L	I	A [°]	B [°]	F	P	T	D	R	G	REACH	STACK
420	<b>420</b>	515	112	74,50	70,00	579	413	125	67	47	370	362	517
450	<b>450</b>	535	128	73,50	72,00	579	413	130	67	47	370	376	529
500	<b>500</b>	550	142	73,50	72,00	595	413	145	67	47	370	388	543
540	<b>540</b>	565	153	73,50	73,00	602	413	165	67	47	370	397	565

## LUNGAVITA

CF	CC	L	I	A [°]	B [°]	F	P	T	D	R	G	REACH	STACK
485	<b>450</b>	520	117	75,00	71,00	580	404	110	69	43	373	377	512
515	<b>480</b>	536	132	74,00	72,50	580	404	135	69	43	373	379	541
545	<b>510</b>	552	145	73,50	73,00	588	404	160	69	43	373	384	566
565	<b>530</b>	567	150	73,50	73,00	600	404	180	66	43	373	394	582
595	<b>560</b>	582	164	73,00	73,00	612	404	204	66	43	373	397	605



## DOGMA XC 9.9

SIZE	CF	CC	L	I	A [°]	B [°]	F	P	T	D	R	G	REACH	STACK
S	430	<b>632</b>	579	180	73,50	69,75	649	448	92	65	44	501	400	606
M	465	<b>634</b>	598	185	73,00	69,75	662	448	92	65	44	501	412	606
L	500	<b>635</b>	622	191	72,50	69,75	682	448	97	58	44	501	431	606
XL	540	<b>656</b>	642	202	72,00	69,75	697	448	115	60	44	501	440	622

## DOGMA XC 7.7

SIZE	CF	CC	L	I	A [°]	B [°]	F	P	T	D	R	G	REACH	STACK
XS	400	<b>602</b>	565	165	74,00	70,00	640	427	92	50	44	485	399	579
S	430	<b>605</b>	581	172	73,50	70,50	645	427	92	50	44	485	409	580
M	465	<b>601</b>	600	175	73,00	70,50	660	427	97	45	44	485	424	575

## ROKH XC 9.9

SIZE	CF	CC	L	I	A [°]	B [°]	F	P	T	D	R	G	REACH	STACK
XS	395	<b>632</b>	555	170	74,00	69,50	634	444	95	65	44	501	380	608
S	425	<b>633</b>	578	180	73,50	69,50	651	444	95	65	44	501	398	608
M	455	<b>639</b>	597	187	73,00	69,50	665	448	98	65	44	501	410	611
L	495	<b>649</b>	616	195	72,50	70,00	673	448	105	65	44	501	420	619
XL	545	<b>616</b>	629	200	72,00	70,00	681	448	105	60	44	501	429	614

## ANDROMEDA CARBON HYBRID 9.9

SIZE	CF	CC	L	I	A [°]	B [°]	F	P	T	D	R	G	REACH	STACK
S	432	<b>664</b>	590	188,5	73,50	69,00	673	455	132	51	51	510	401,5	636,2
M	483	<b>664</b>	615	188,5	73,50	69,00	698	455	132	51	51	510	426,5	637
L	535	<b>673</b>	635	196,7	73,00	69,00	712,5	455	140	51	51	510	438,3	643,5



# 2019 Tech Features

MODEL	MATERIAL	DISCIPLINE	UCI LABEL	ASYM SYSTEM	BRAKE	BOTTOM BRACKET	HEADSET	CABLE ROUTING	AXLES	SUSPENSION
<b>DOGMA F10 Xlight</b>	Carbon T1100 UD Torayca	ROAD RACING	YES	YES	RIM standard	ITALIAN Thread	Drop In (Upper 1-1/8 - Lower 1-1/2)	Think 2	Quick Release	NO
<b>DOGMA F10</b>	Carbon T1100 1K Torayca	ROAD RACING	YES	YES	RIM standard	ITALIAN Thread	Drop In (Upper 1-1/8 - Lower 1-1/2)	Think 2	Quick Release	NO
<b>DOGMA F10 Disk</b>	Carbon T1100 1k Torayca®	ROAD RACING	YES	YES	DISK Flat Mount	ITALIAN Thread	Drop In (Upper 1-1/8 - Lower 1-1/2)	Think2	Thru Axle	NO
<b>DOGMA K10-s Disk</b>	Carbon T1100 1k Torayca®	ROAD RACING	YES	YES	DISK Flat Mount	ITALIAN Thread	Drop In (Upper 1-1/8 - Lower 1-1/2)	Think2	Thru Axle	DSS / eDSS (electronic)
<b>DOGMA K10</b>	Carbon T1100 1k Torayca®	ROAD RACING	YES	YES	RIM standard	ITALIAN Thread	Drop In (Upper 1-1/8 - Lower 1-1/2)	Think2	Quick Release	NO
<b>PRINCE FX</b>	Carbon T900	ROAD RACING	YES	YES	RIM standard	ITALIAN Thread	Drop In (Upper 1-1/8 - Lower 1-1/2)	Think2	Quick Release	NO
<b>PRINCE</b>	Carbon T700	ROAD RACING	YES	YES	RIM standard	ITALIAN Thread	Drop In (Upper 1-1/8 - Lower 1-1/2)	Think2	Quick Release	NO
<b>PRINCE Disk</b>	Carbon T700	ROAD RACING	YES	YES	DISK Flat Mount	ITALIAN Thread	Drop In (Upper 1-1/8 - Lower 1-1/2)	Think2	Thru Axle	NO
<b>GAN</b>	Carbon T600	ROAD RACING	YES	YES	RIM standard	ITALIAN Thread	Drop In (Upper 1-1/8 - Lower 1-1/2)	Think2	Quick Release	NO
<b>GAN Disk</b>	Carbon T600	ROAD RACING	YES	YES	DISK Flat Mount	ITALIAN Thread	Drop In (Upper 1-1/8 - Lower 1-1/2)	Think2	Thru Axle	NO
<b>GAN K Disk</b>	Carbon T600	ROAD RACING	YES	YES	DISK Flat Mount	ITALIAN Thread	Drop In (Upper 1-1/8 - Lower 1-1/2)	Think2	Thru Axle	NO
<b>GAN GR Disk</b>	Carbon T600	GRAVEL	NO	YES	DISK Flat Mount	ITALIAN Thread	Drop In (Upper 1-1/8 - Lower 1-1/2)	Think2	Thru Axle	NO
<b>GAN GR-s Disk</b>	Carbon T900	GRAVEL	NO	YES	DISK Flat Mount	ITALIAN Thread	Drop In (Upper 1-1/8 - Lower 1-1/2)	Think2	Thru Axle	DSS 1.0
<b>RAZHA</b>	Carbon T600	ROAD RACING	YES	YES	RIM standard	ITALIAN Thread	Drop In (Upper 1-1/8 - Lower 1-1/2)	Think2	Quick Release	NO
<b>ANGLIRU</b>	Carbon T600	ROAD RACING	YES	YES	RIM standard	ITALIAN Thread	Drop In (Upper 1-1/8 - Lower 1-1/2)	Think2	Quick Release	NO
<b>NYTRO</b>	Carbon T700	eROAD BIKE	NO	YES	DISK Flat Mount	ITALIAN Thread	Drop In (Upper 1-1/8 - Lower 1-1/2)	Think2	Thru Axle	NO
<b>MERCURIO Disk</b>	Carbon T600	ROAD RACING	NO	NO	DISK Post Mount	ITALIAN Thread	Drop In (Upper 1-1/8 - Lower 1-1/4)	Think2	Quick Release	NO

MODEL	MATERIAL	DISCIPLINE	UCI LABEL	ASYM SYSTEM	BRAKE	BOTTOM BRACKET	HEADSET	CABLE ROUTING	AXLES	SUSPENSION
<b>NEOR</b>	Alloy 6061 T6	ROAD RACING	YES	NO	RIM standard	ITALIAN Thread	Drop In (Upper 1-1/8 - Lower 1-1/2)	External	Quick Release	NO
<b>PRIMA</b>	Alloy 6061 T6	ROAD RACING	NO	NO	RIM standard	ITALIAN Thread	Drop In (Upper 1-1/8 - Lower 1-1/2)	External	Quick Release	NO
<b>TREVISO Disk</b>	Carbon T600	URBAN	NO	NO	DISK Post Mount	ITALIAN Thread	Integrated (Upper 1-1/8 - Lower 1-1/4)	Think2	Quick Release	NO
<b>BOLIDE HR</b>	Carbon T1100 1k Torayca®	TRACK	YES	YES	NO BRAKE	ITALIAN Thread	Drop In (Upper 1-1/8 - Lower 1-1/4)	NO CABLE	BOLT ON	NO
<b>BOLIDE TT</b>	Carbon T1100 Torayca®	TIME TRIAL	YES	YES	RIM Pinarello Bolide	ITALIAN Thread	Drop In (Upper 1-1/8 - Lower 1-1/4)	Think2	Quick Release	NO
<b>MAAT</b>	Carbon 60HM 1k Torayca®	TRACK	YES	NO	NO BRAKE	BSA	Integrated (Upper 1-1/4 - Lower 1-3/4)	NO CABLE	BOLT ON	NO
<b>XTRACK</b>	Carbon T700	TRACK	YES*	NO	NO BRAKE	ITALIAN Thread	Integrated 1-1/8	NO CABLE	BOLT ON	NO
<b>PISTA</b>	Alloy 6061 T6	TRACK	YES*	NO	NO BRAKE	ITALIAN Thread	Integrated 1-1/8	NO CABLE	BOLT ON	NO
<b>LUNGAVITA</b>	Alloy 6061 T6	URBAN	NO	NO	RIM standard	ITALIAN Thread	Drop In (1-1/8)	External	Quick Release	NO
<b>SPEEDY</b>	Alloy 6061 T6	KIDS	NO	NO	RIM standard	ITALIAN Thread	Drop In (1-1/8)	External	Quick Release	NO
<b>DOGMA XC 9.9</b>	Carbon T900	OFF-ROAD	No need	YES	DISK Post Mount	BB92	Drop In (Upper 1-1/8 - Lower 1-1/2)	Think2 MTB	Thru Axle	90 mm ant
<b>DOGMA XC 7.7</b>	Carbon T900	OFF-ROAD	No need	YES	DISK Post Mount	BB92	Drop In (Upper 1-1/8 - Lower 1-1/2)	Think2 MTB	Thru Axle	90 mm ant
<b>ROKH XC 9.9</b>	Carbon T700	OFF-ROAD	No need	YES	DISK Post Mount	BB92	Drop In (Upper 1-1/8 - Lower 1-1/2)	Think2 MTB	Thru Axle	100 mm ant
<b>ANDROMEDA XC 9.9 HYBRID</b>	Carbon T700	EBIKE	NO	NO	DISK Post Mount	---	Drop In (Upper 1-1/8 - Lower 1-1/2)	Think2 MTB	Thru Axle	120 mm ant

\* model ante 2011 - no need of UCI Label



**PINARELLO**<sup>®</sup>  
ThinkAsymmetric

Viale della Repubblica 12  
31020 Villorba (TV) Italia  
Tel. +39 0422 420877  
infobike@pinarello.com  
**pinarello.com**